

Zoom Lens

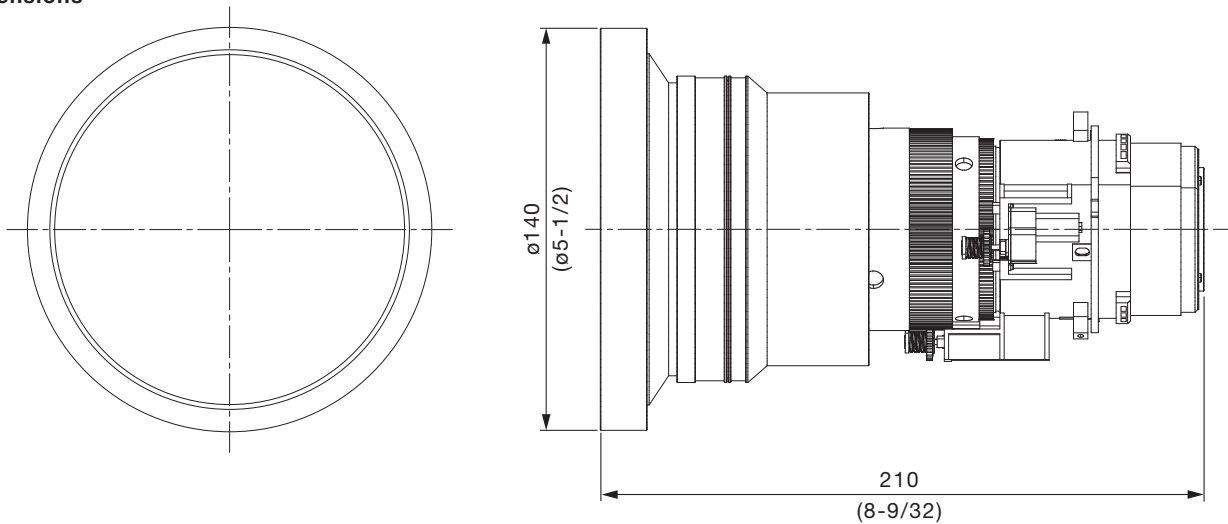
This zoom lens is designed for use with Panasonic's applicable projectors. The lens makes it possible to vary the projection distance by changing the focal distance.

NOTE: The lens cannot be used by itself. It must be mounted onto the specified Panasonic DLP™ projector.

Specifications

F value:	1.85–2.35						
Focal distance (f):	14.7–19.7 mm						
Throw ratio	WUXGA 0.978-1.32:1 (16:10 aspect ratio) WXGA 1.02-1.39 (16:10 aspect ratio) XGA 1.01-1.37:1 (4:3 aspect ratio)						
Dimensions (W × H × D):	140 × 140 × 210 mm (5-1/2 × 5-1/2 × 8-9/32 inches)						
Weight:	Approx. 1.2 kg (2.6 lbs)						
Applicable projector:	<table border="0"> <tr> <td>Group A</td> <td>PT-DZ870W/DZ870K/DZ870LW/DZ870LK/ DW830W/DW830K/DW830LW/DW830LK/ DX100W/DX100K/DX100LW/DX100LK</td> </tr> <tr> <td>Group B</td> <td>PT-RZ120W/RZ120B/RZ120LW/RZ120LB/ RZ970W/RZ970B/RZ970LW/RZ970LB/ RW930W/RW930B/RW930LW/RW930LB/ RX110W/RX110B/RX110LW/RX110LB/ RZ870W/RZ870B/RZ870LW/RZ870LB/ RZ770W/RZ770B/RZ770LW/RZ770LB/ RW730W/RW730B/RW730LW/RW730LB/ RZ660W/RZ660B/RZ660LW/RZ660LB/ RW620W/RW620JB/RW620JLW/RW620LB/ RZ670W/RZ670B/RZ670LW/RZ670LB/ RW630W/RW630B/RW630LW/RW630LB</td> </tr> <tr> <td>Group C</td> <td>PT-DZ780W/DZ780B/DZ780LW/DZ780LB/ DW750W/DW750B/DW750LW/DW750LB/ DX820W/DX820B/DX820LW/DX820LB</td> </tr> </table>	Group A	PT-DZ870W/DZ870K/DZ870LW/DZ870LK/ DW830W/DW830K/DW830LW/DW830LK/ DX100W/DX100K/DX100LW/DX100LK	Group B	PT-RZ120W/RZ120B/RZ120LW/RZ120LB/ RZ970W/RZ970B/RZ970LW/RZ970LB/ RW930W/RW930B/RW930LW/RW930LB/ RX110W/RX110B/RX110LW/RX110LB/ RZ870W/RZ870B/RZ870LW/RZ870LB/ RZ770W/RZ770B/RZ770LW/RZ770LB/ RW730W/RW730B/RW730LW/RW730LB/ RZ660W/RZ660B/RZ660LW/RZ660LB/ RW620W/RW620JB/RW620JLW/RW620LB/ RZ670W/RZ670B/RZ670LW/RZ670LB/ RW630W/RW630B/RW630LW/RW630LB	Group C	PT-DZ780W/DZ780B/DZ780LW/DZ780LB/ DW750W/DW750B/DW750LW/DW750LB/ DX820W/DX820B/DX820LW/DX820LB
Group A	PT-DZ870W/DZ870K/DZ870LW/DZ870LK/ DW830W/DW830K/DW830LW/DW830LK/ DX100W/DX100K/DX100LW/DX100LK						
Group B	PT-RZ120W/RZ120B/RZ120LW/RZ120LB/ RZ970W/RZ970B/RZ970LW/RZ970LB/ RW930W/RW930B/RW930LW/RW930LB/ RX110W/RX110B/RX110LW/RX110LB/ RZ870W/RZ870B/RZ870LW/RZ870LB/ RZ770W/RZ770B/RZ770LW/RZ770LB/ RW730W/RW730B/RW730LW/RW730LB/ RZ660W/RZ660B/RZ660LW/RZ660LB/ RW620W/RW620JB/RW620JLW/RW620LB/ RZ670W/RZ670B/RZ670LW/RZ670LB/ RW630W/RW630B/RW630LW/RW630LB						
Group C	PT-DZ780W/DZ780B/DZ780LW/DZ780LB/ DW750W/DW750B/DW750LW/DW750LB/ DX820W/DX820B/DX820LW/DX820LB						

Dimensions

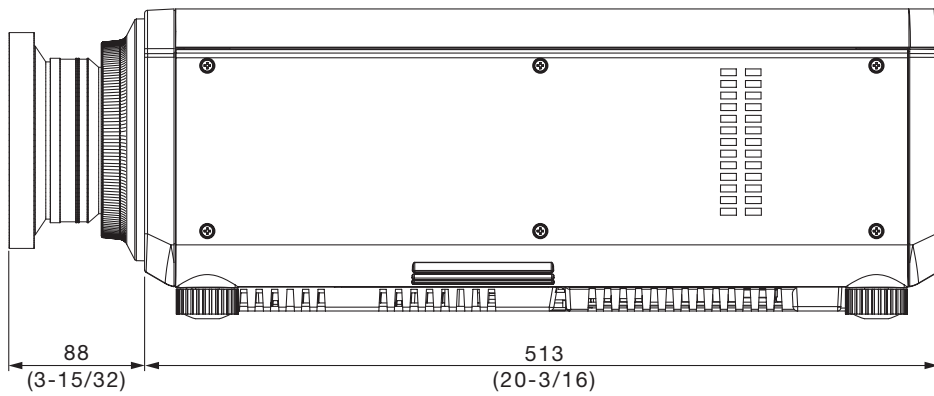


unit : mm (inch)

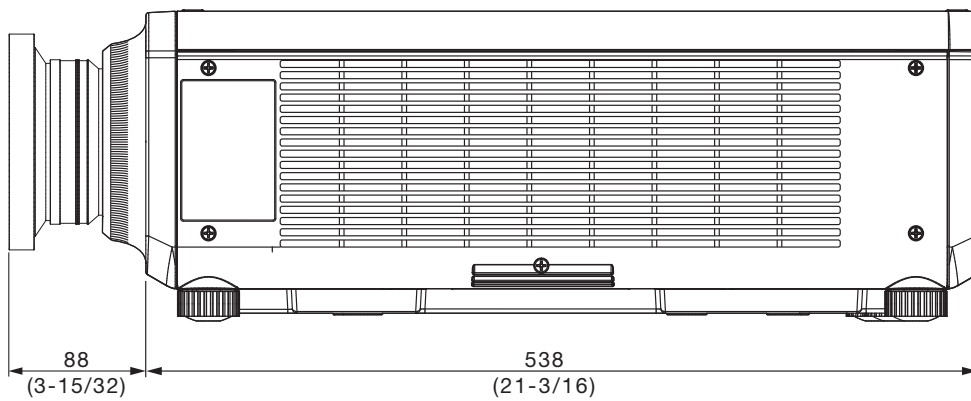
NOTE: This illustration is not drawn to scale.

Illustration shows the lens attached to an applicable projector.

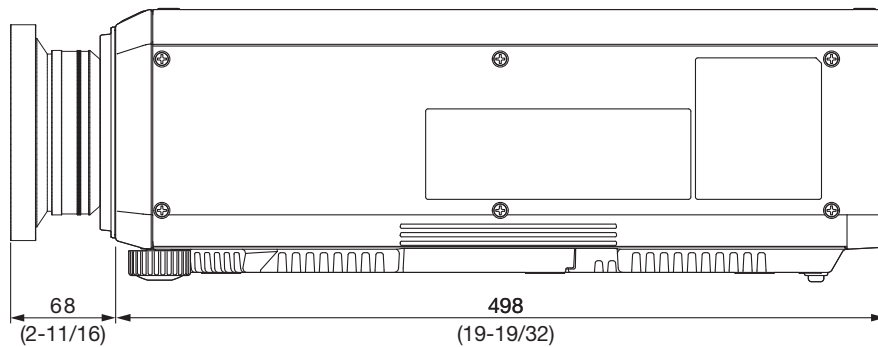
[Group A]



[Group B]



[Group C]



unit : mm (inch)

NOTE: This illustration is not drawn to scale.

For information on the projection distance, refer to the specifications for the projector to which the lens will be mounted.
 DLP is a trademark of Texas Instruments. Weights and dimensions shown are approximate. Specifications subject to change without notice.