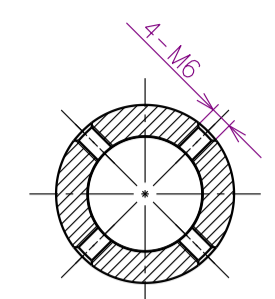
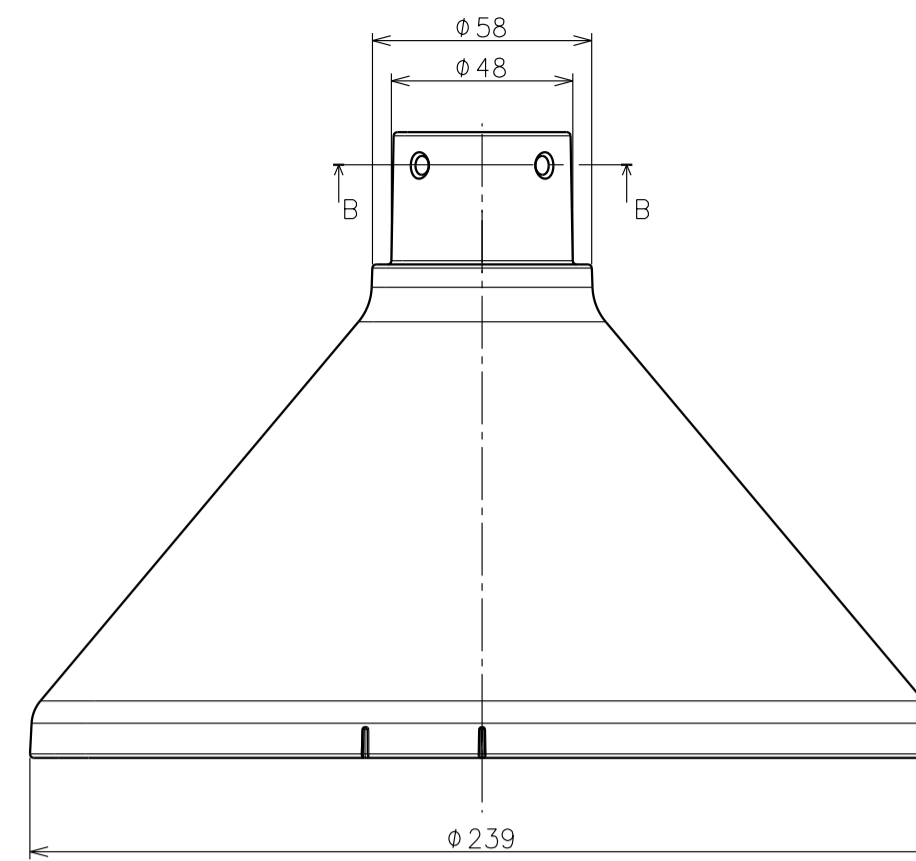
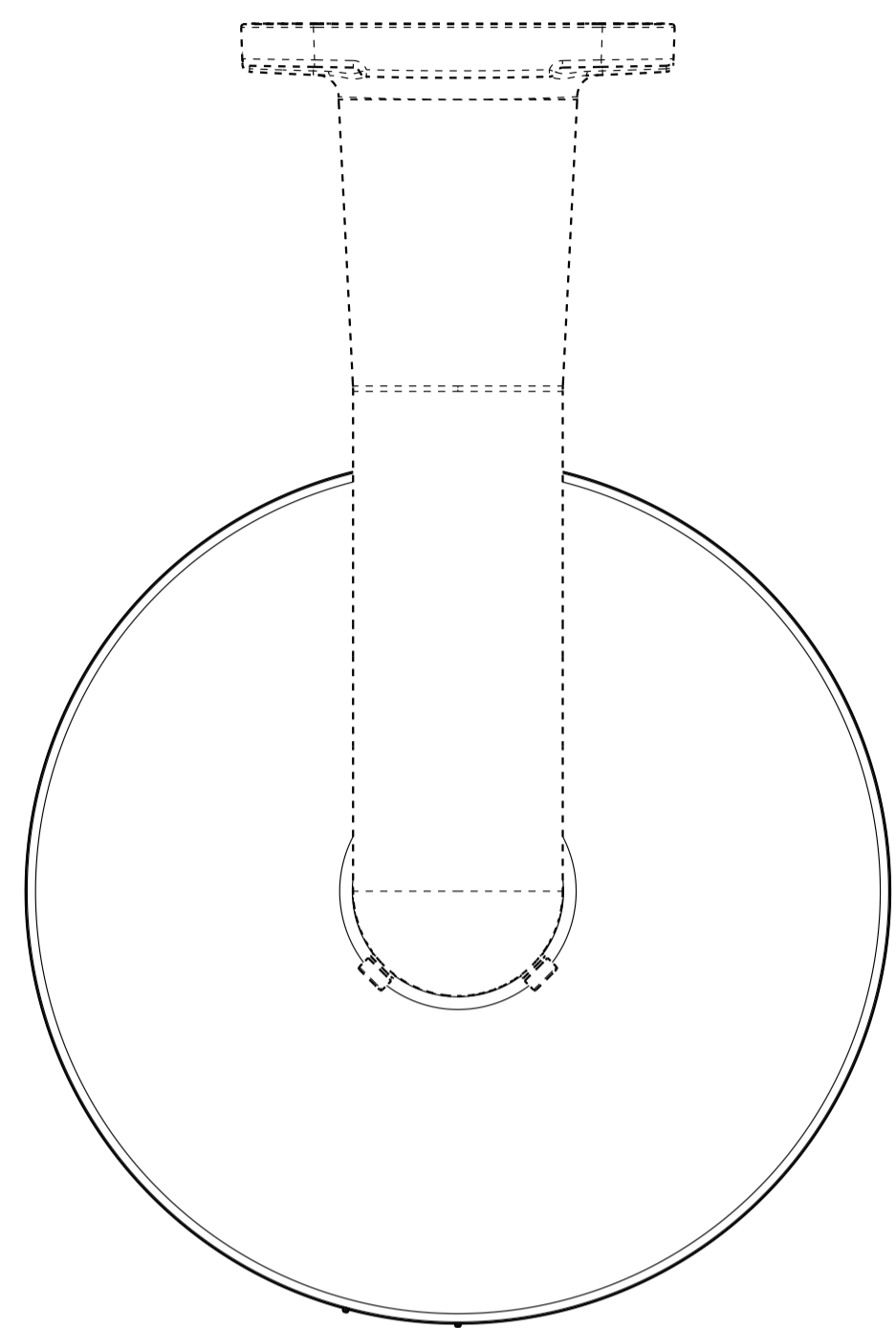
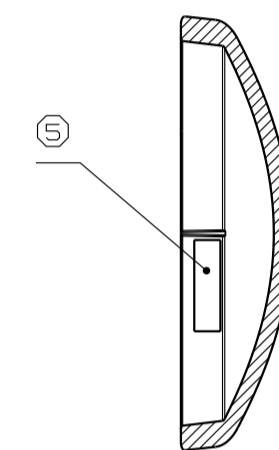
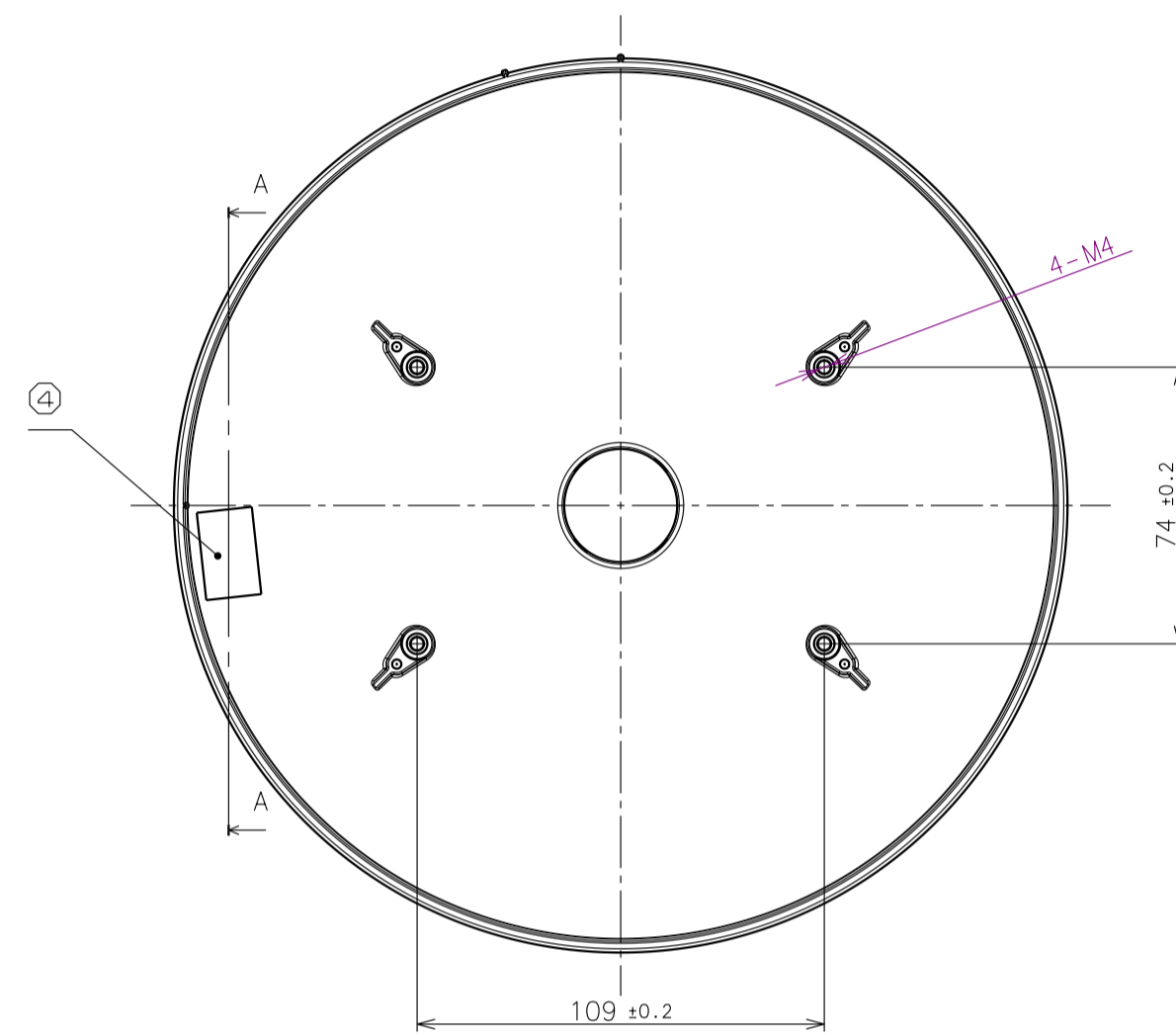


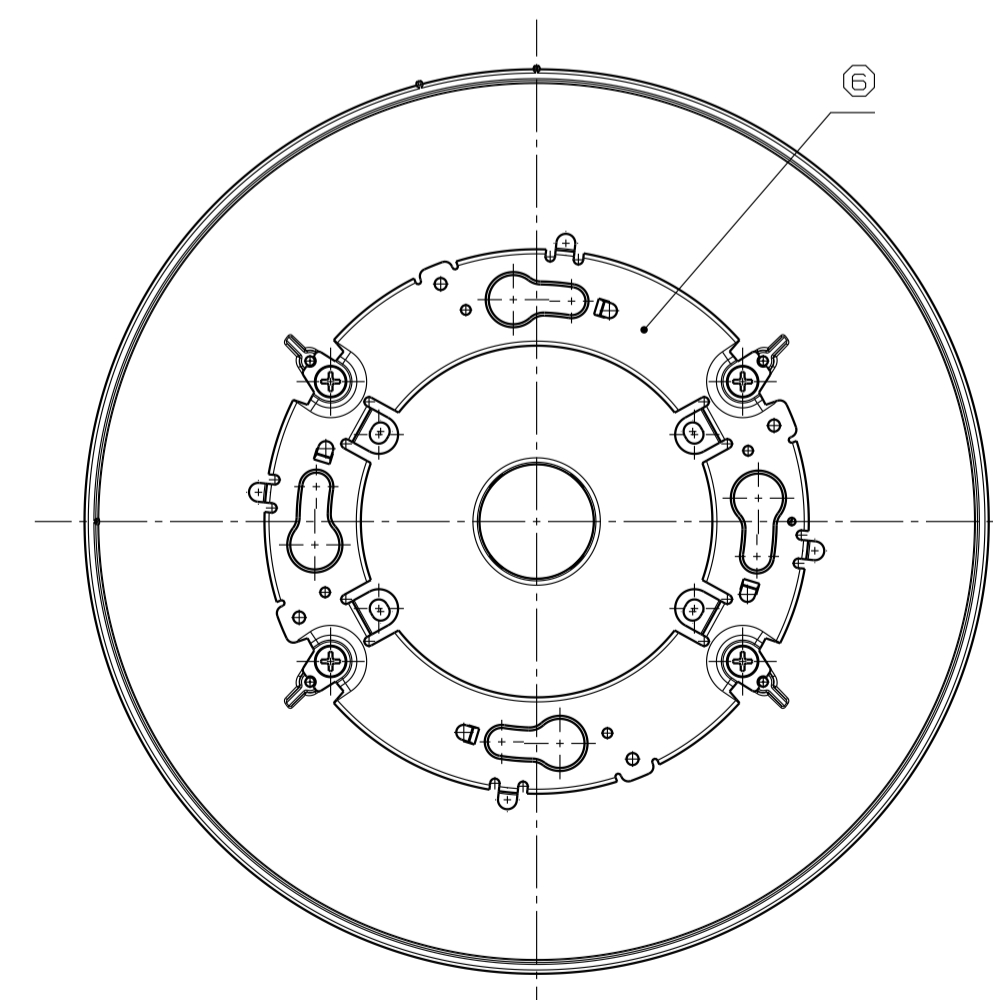
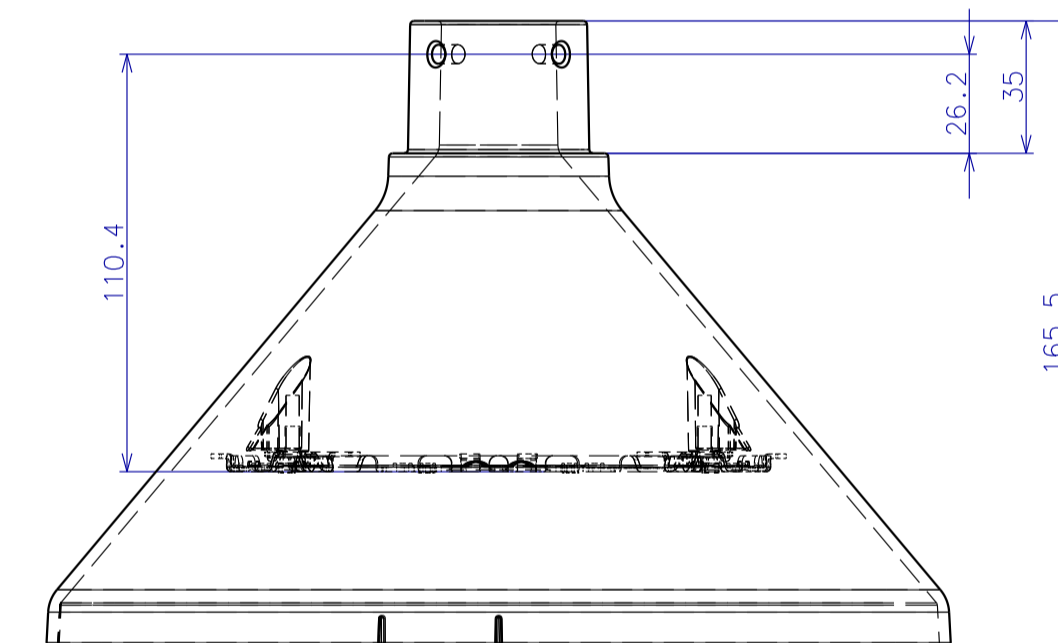
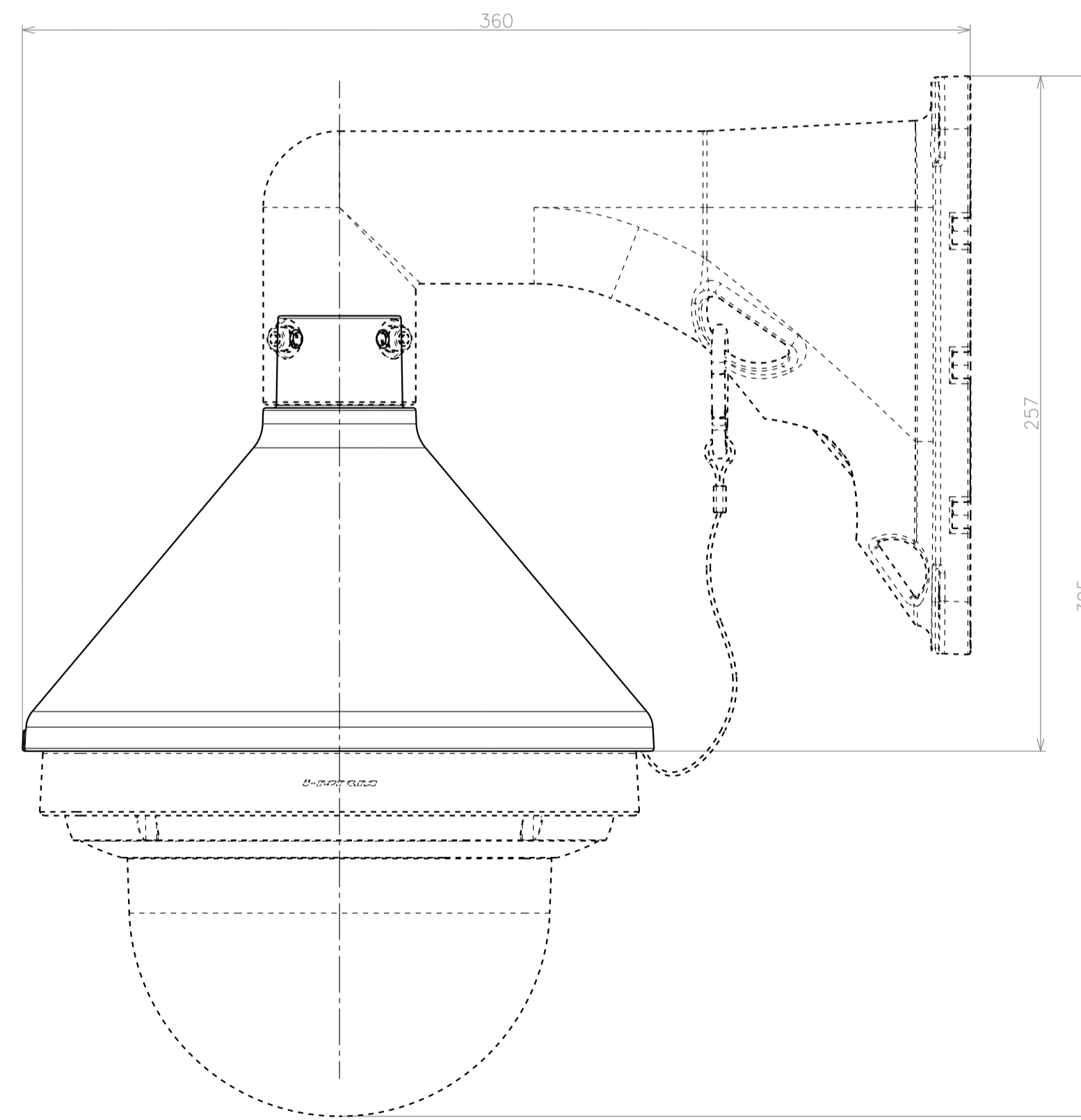
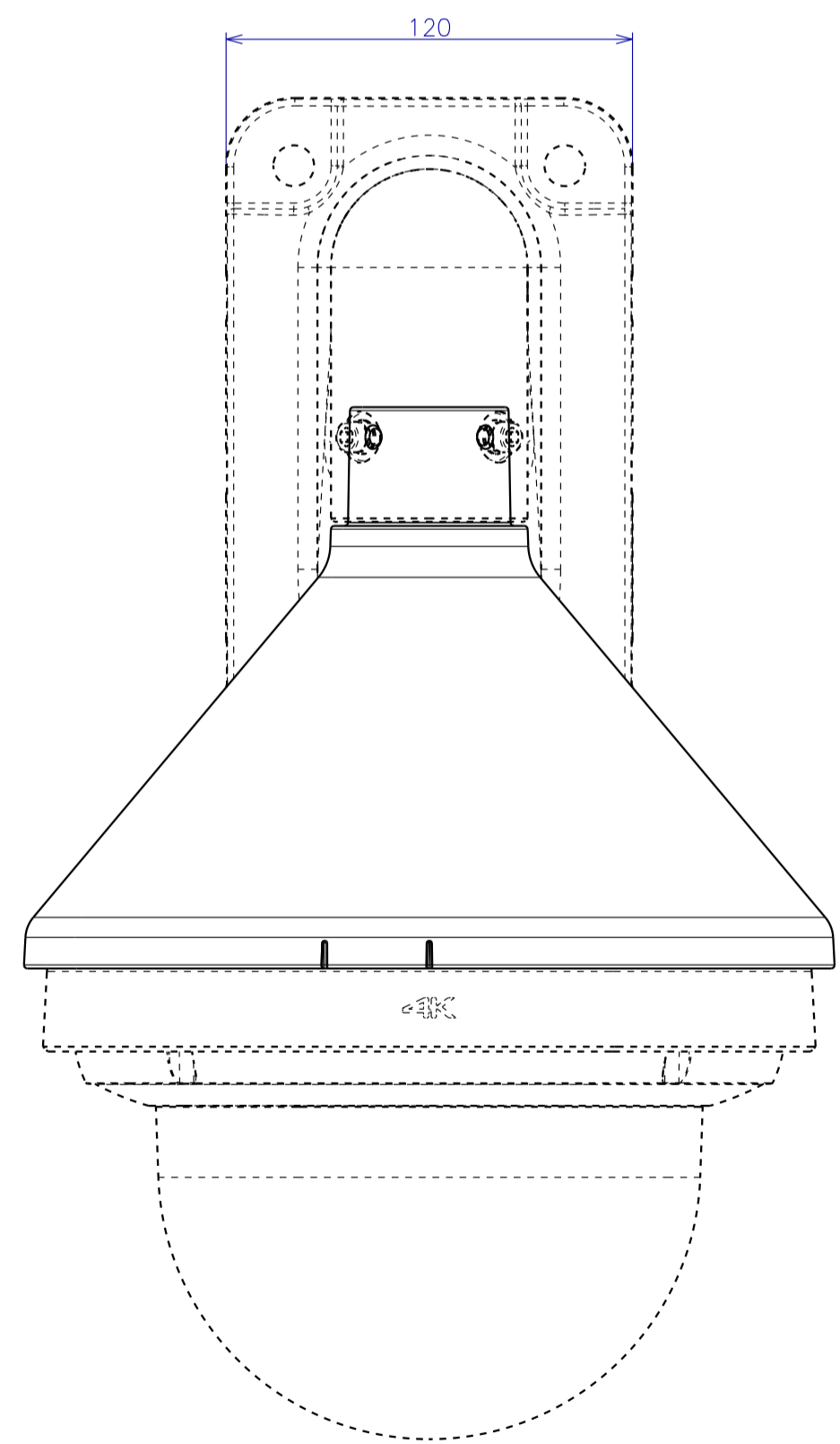
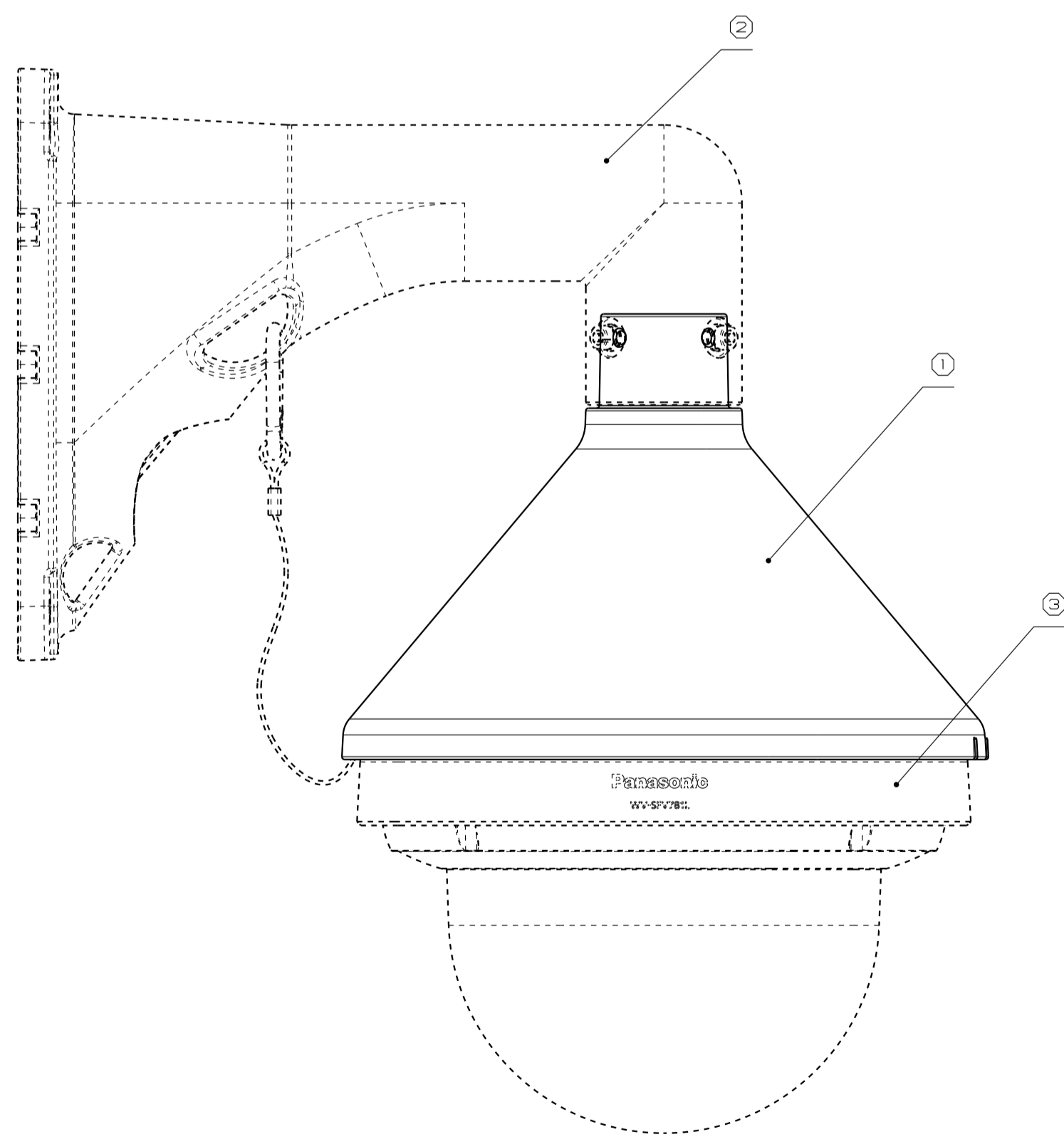
No.	Part Name	Material	Process/Remark
1	Mount Bracket	ADC12	Painting(light grey)
2	Wall Mount Bracket	ADC12	Other Product
3	Camera(WV-SFV781L)	-	Other Product
4	Main Label	Polyester sheet	Printing
5	Serial No. Label	Polyester sheet	Printing
6	Attachment Plate	SUS304	Other Product



剖视图 B-B (1:2)



剖视图 A-A (1:2)



WV-Q187